

Quick & Clever Hacks...

...For CCTV Installers

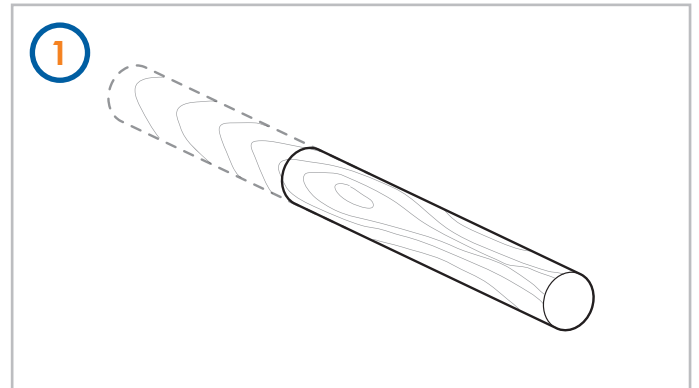
A selection of clever hacks using odd bits you may find lying around. Thinking outside the box to save you time and money.



Mini Sawhorse



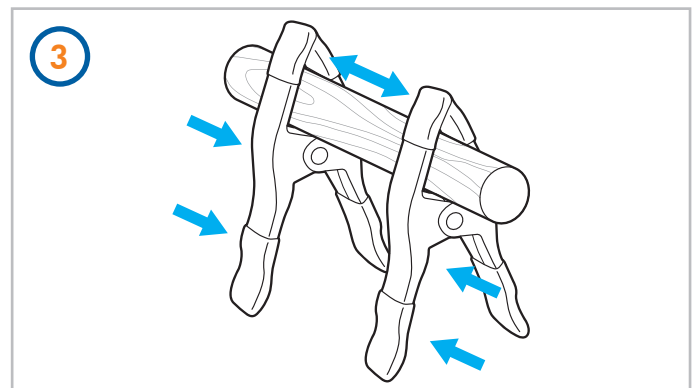
Out on a job and don't have a sawhorse? This little idea works great and can even be dismantled and kept in your toolbox.



Cut the wooden rod to size according to how wide you require the sawhorse.



Attach a spring clamp to either end of the rod.



Additional: The clamps can be repositioned to secure your work.

Please Note

These "Technical Tips" help sheets aim to answer commonly asked questions in a concise and informative manner - they are for advice & guidance only and do not replace any of the manuals or other literature supplied with our products.

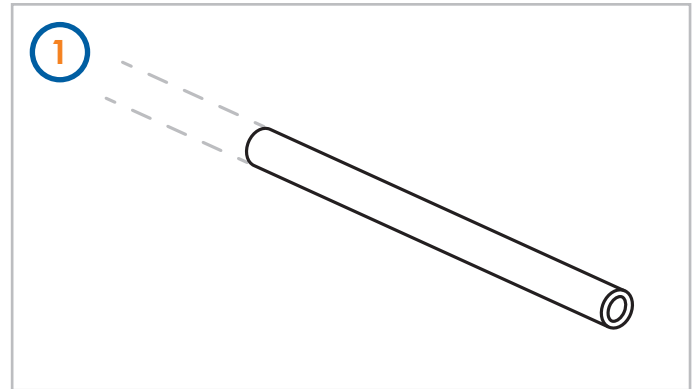
Last edited:
06/08/2014

Saw Blade Cover

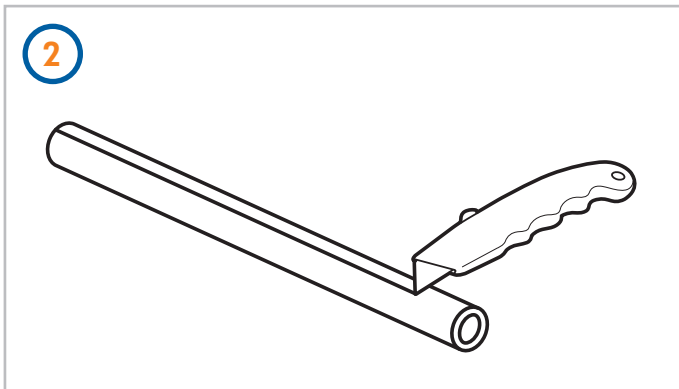
It's easy for you or others to catch yourself on exposed saw blades as you busily work away. Some saws come with handy blade covers however many saws do not.



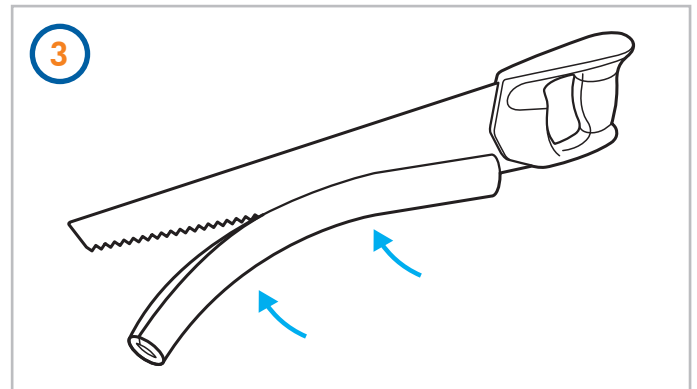
This quick tip is really simple yet it could prevent a serious injury.



Cut a length of hose the same size as the exposed blade.



Slit the hose all the way along one side.



Place the hose over the exposed blade.

Please Note

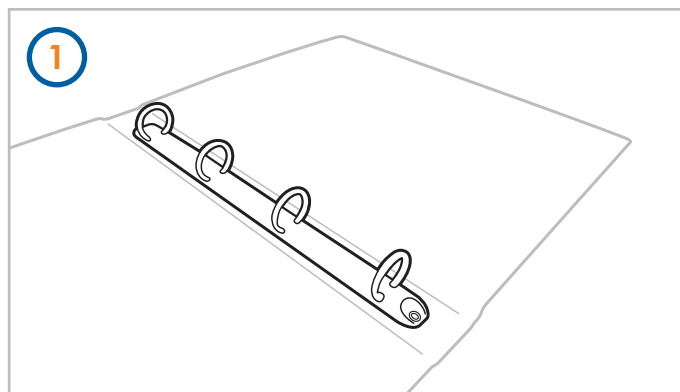
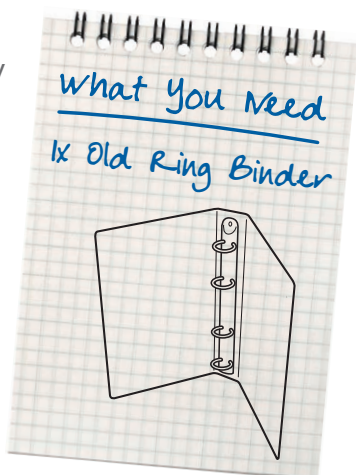
These "Technical Tips" help sheets aim to answer commonly asked questions in a concise and informative manner - they are for advice & guidance only and do not replace any of the manuals or other literature supplied with our products.

Under Desk Cable Tidy

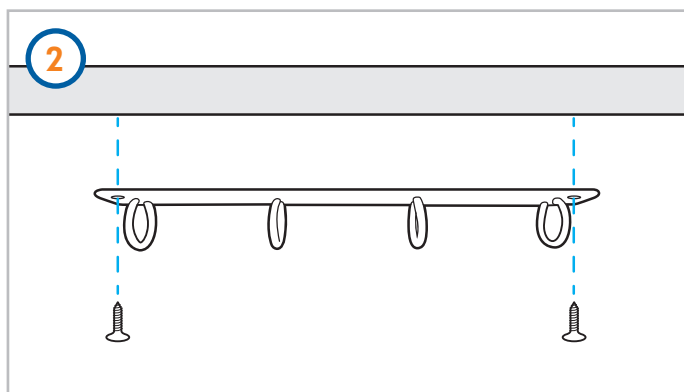
When running multiple cables under a desk they can quickly become a tangled mess.

There's also the risk of snagging loose cables and dislodging connections.

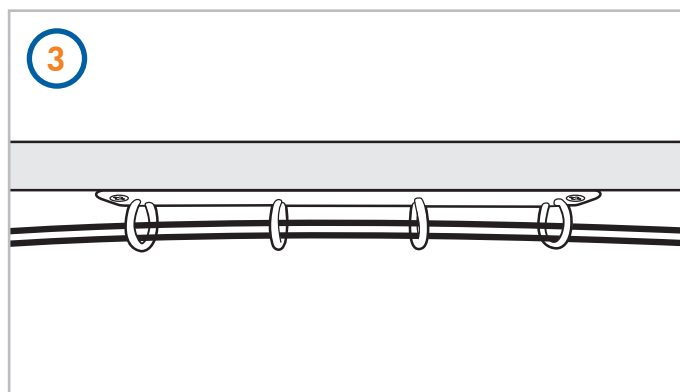
This handy little trick keeps cables both tidy and out of the way.



Use a knife to cut the metal ring binder away from the cardboard folder. When you have separated the metal binder from the folder use a pair of pliers to remove the rivets at either end.



Screw through the holes left by the rivets and into the underside of the desk.



You can now use the binder to keep cables neat and out of harms way. Being able to open and close the binder makes it easy to add and remove cables as you wish.

Please Note

These "Technical Tips" help sheets aim to answer commonly asked questions in a concise and informative manner - they are for advice & guidance only and do not replace any of the manuals or other literature supplied with our products.